

Shaft for clutch – Replacement

1. Remove items.

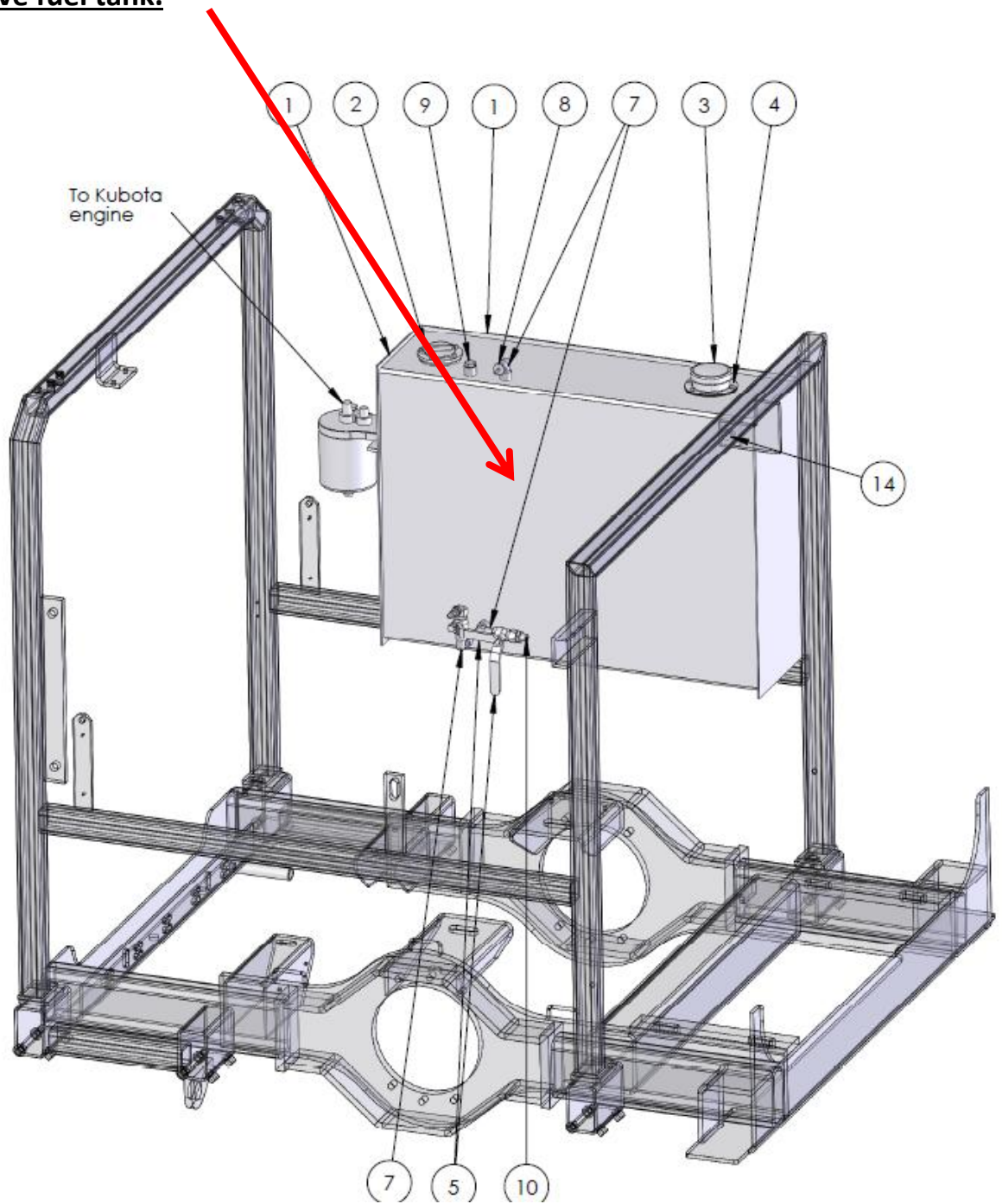
Engine Cover Assy. L + R side.

Pressure bead tank.

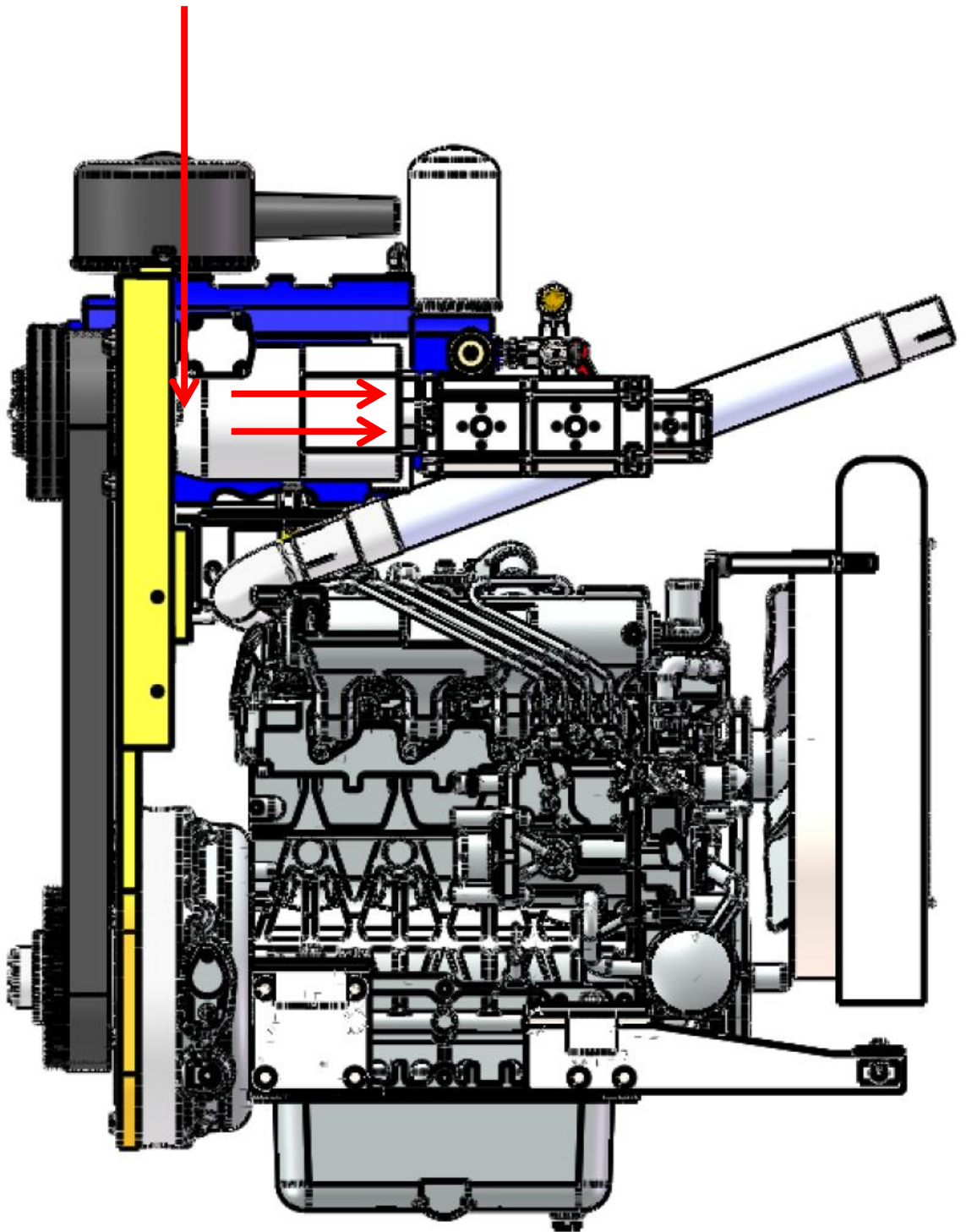
Engine front plate.



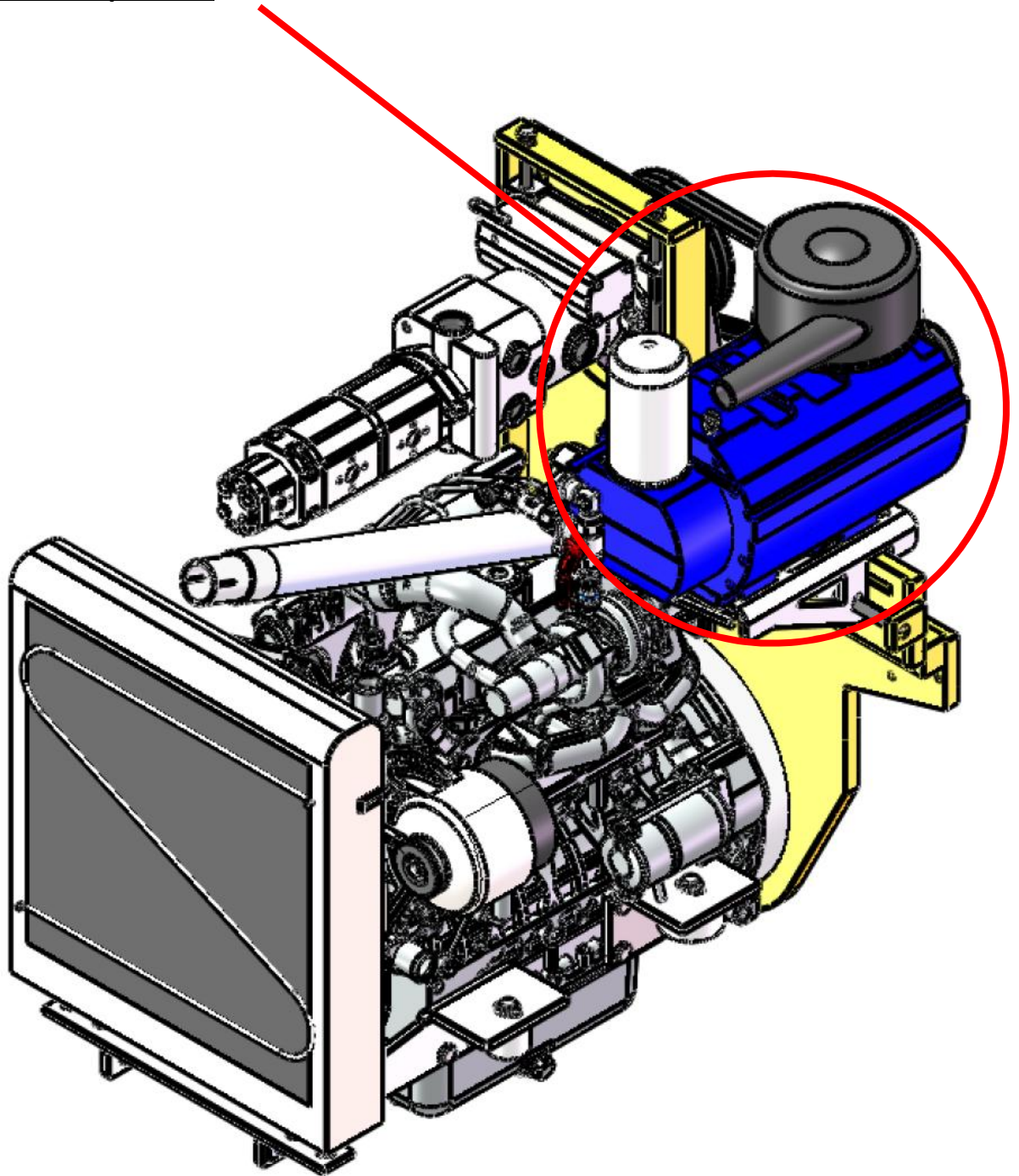
2. Remove fuel tank.



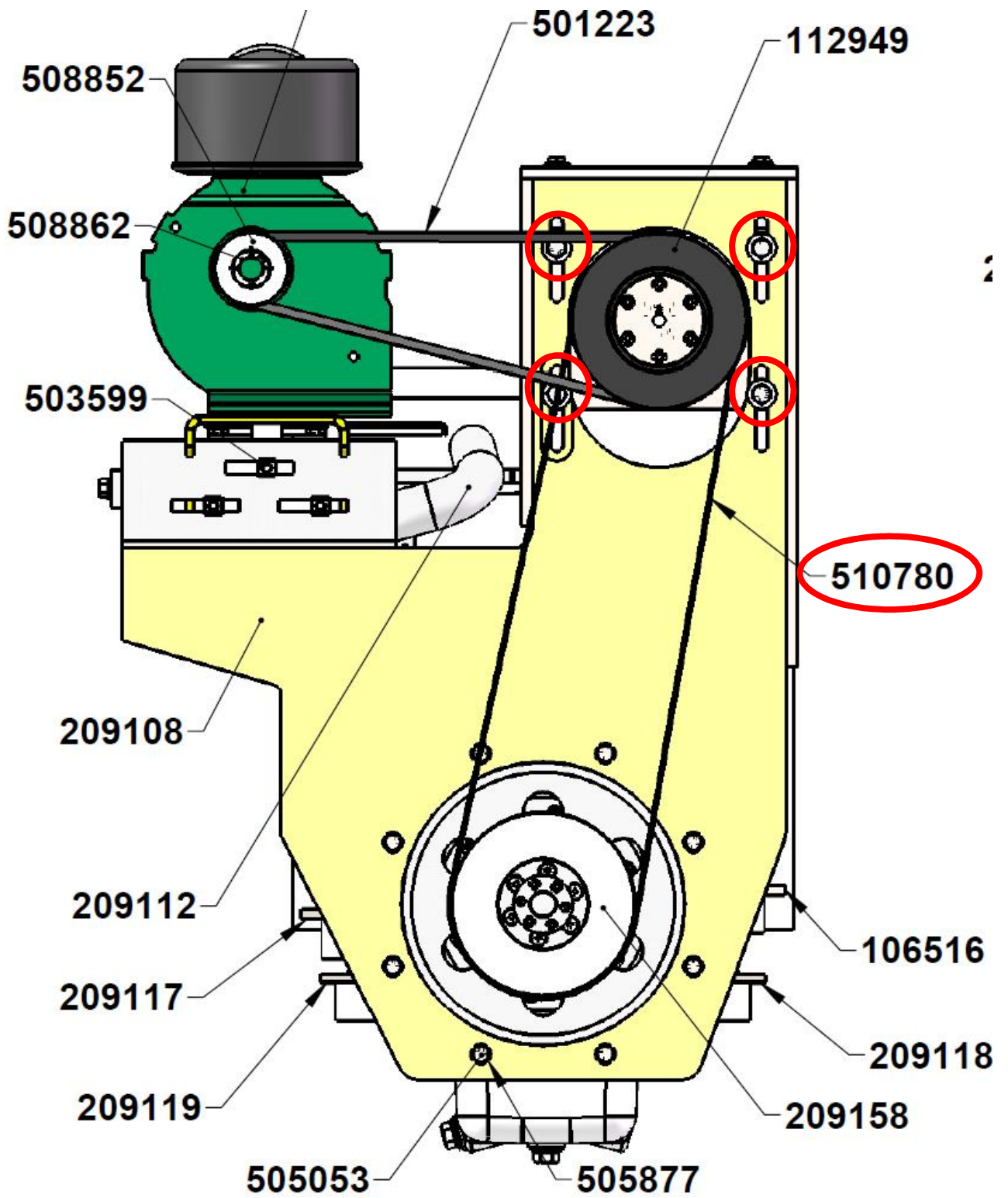
3. Remove (pull backwards) Hydrostat pump.



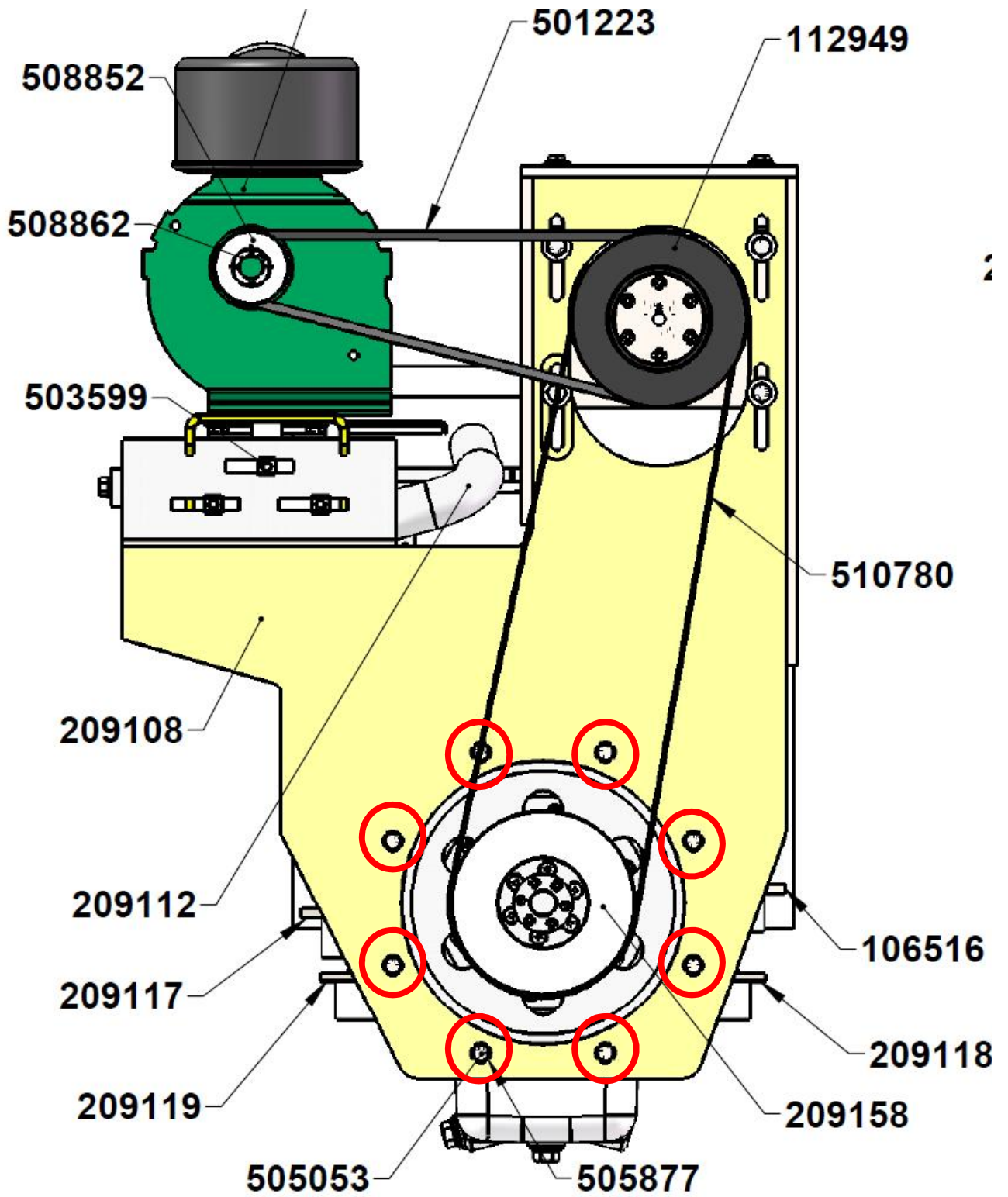
4. Remove compressor.



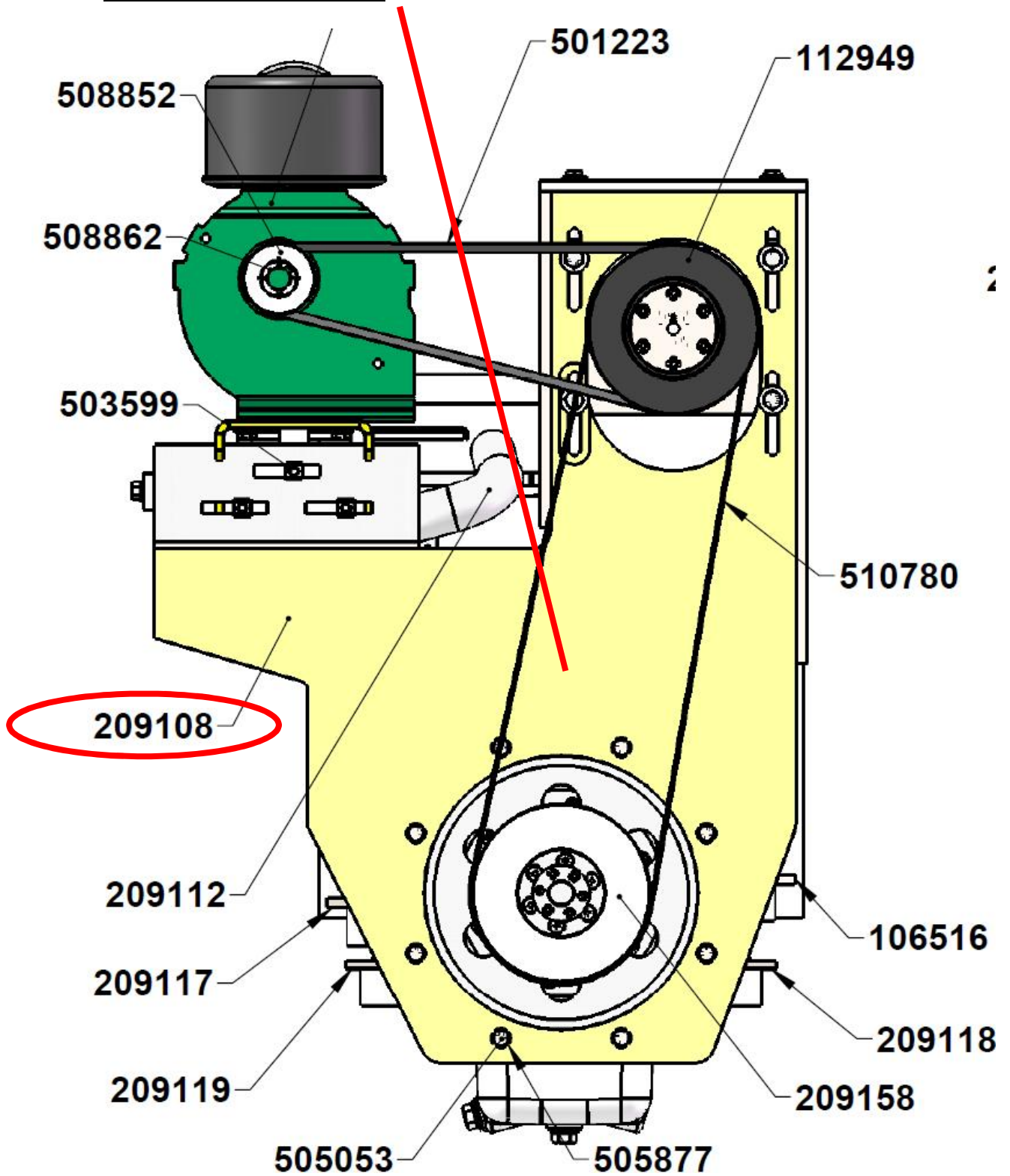
5. Loosen bolts and remove belt.



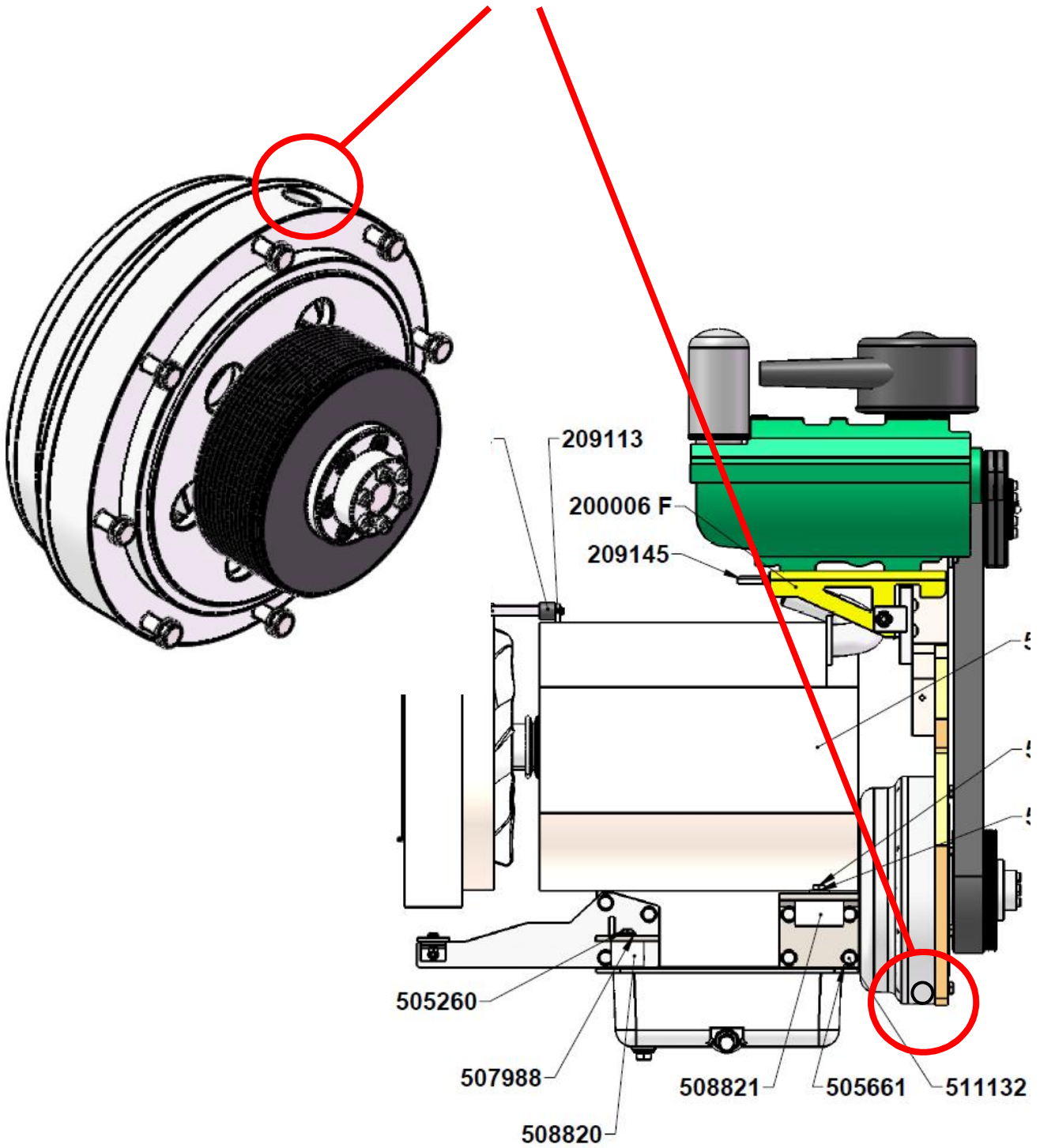
6. Remove bolts.



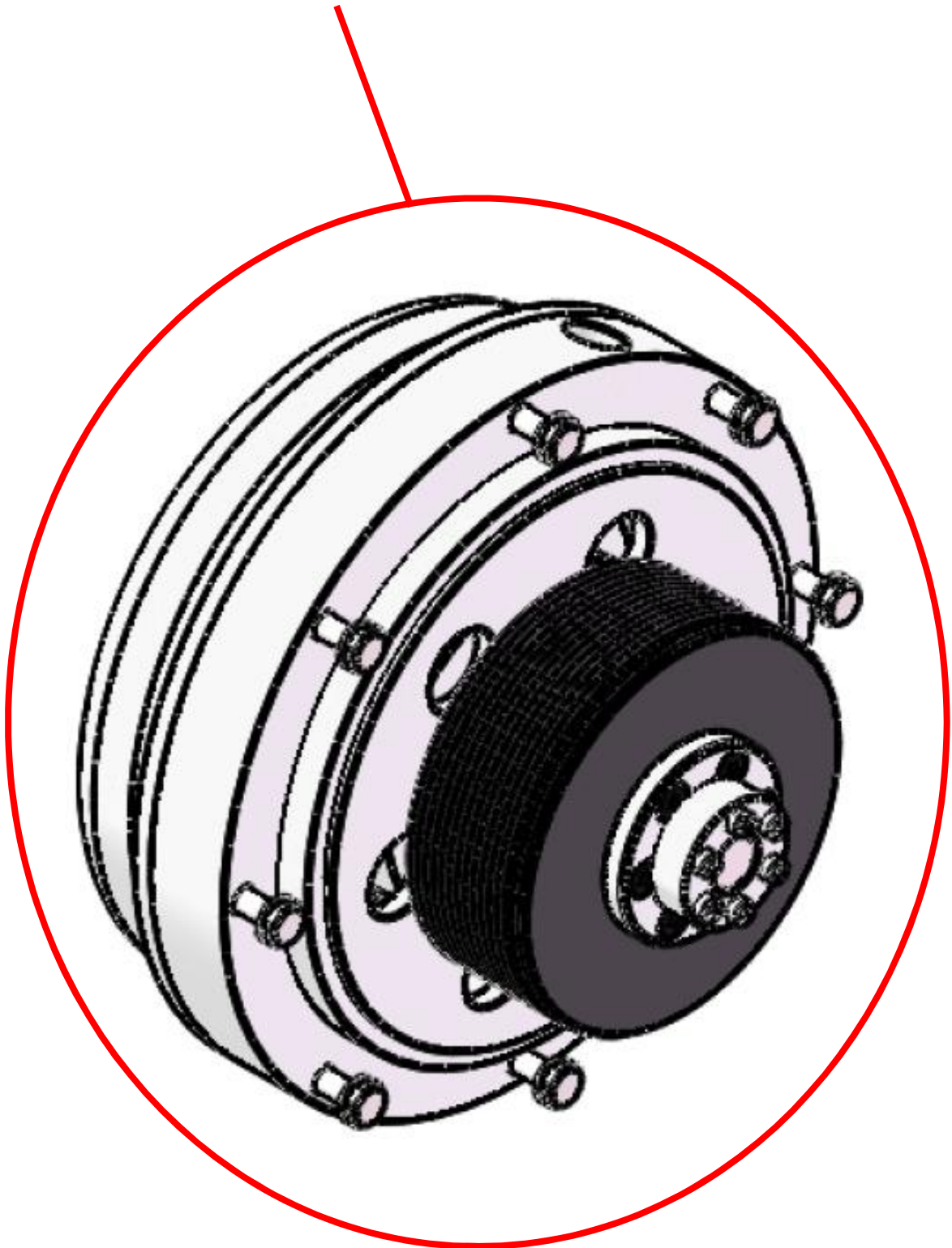
7. Remove engine bracket.



8. Loosen Unbracho bolts inside holes (4 pcs).



9. Remove clutch housing.



10. Replace spareparts (shaft for clutch).

LY for turbo engine

B	Sparepart
A	500589 k

