

Quick metode.

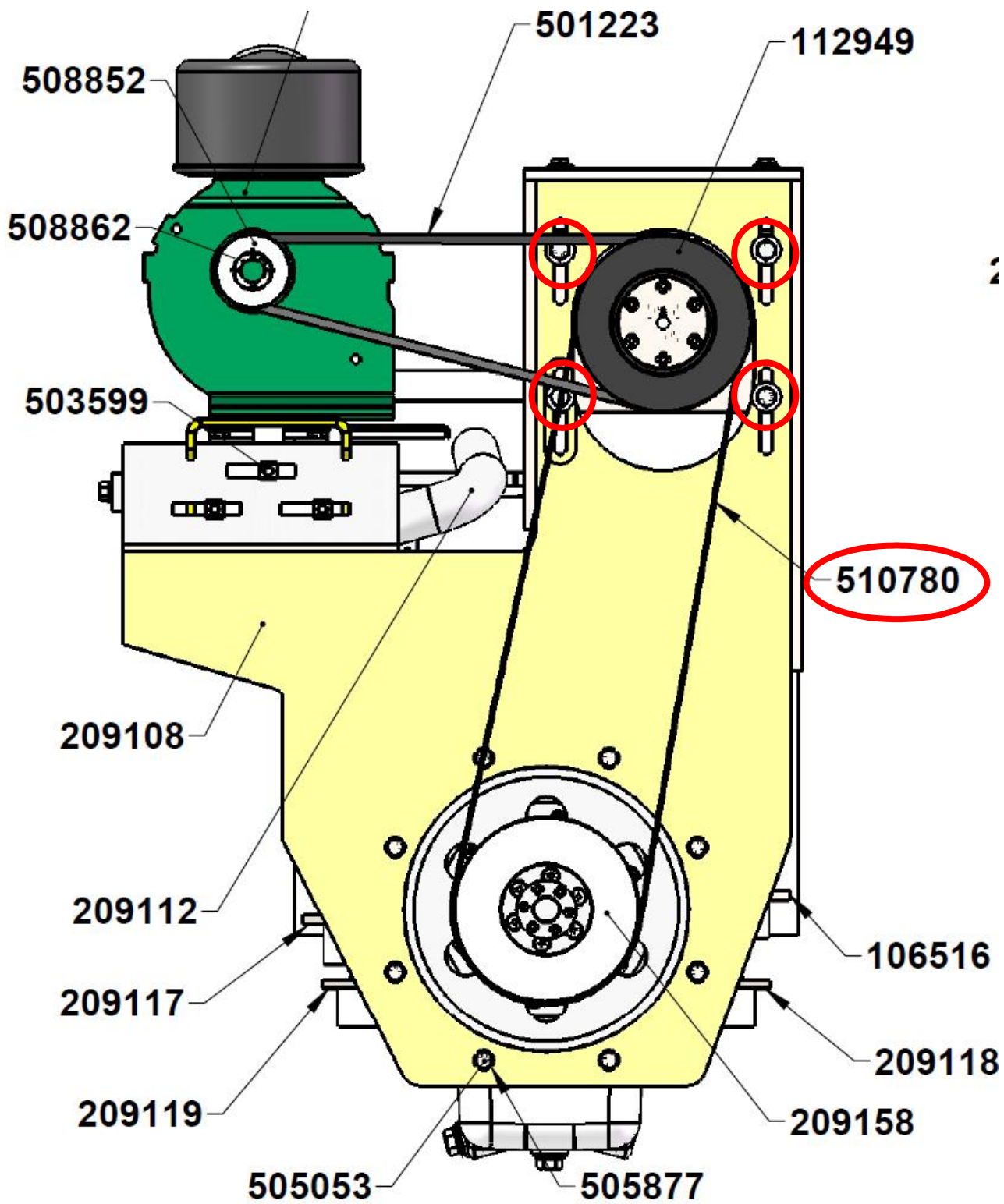
Shaft for clutch – Replacement

1. Remove item.

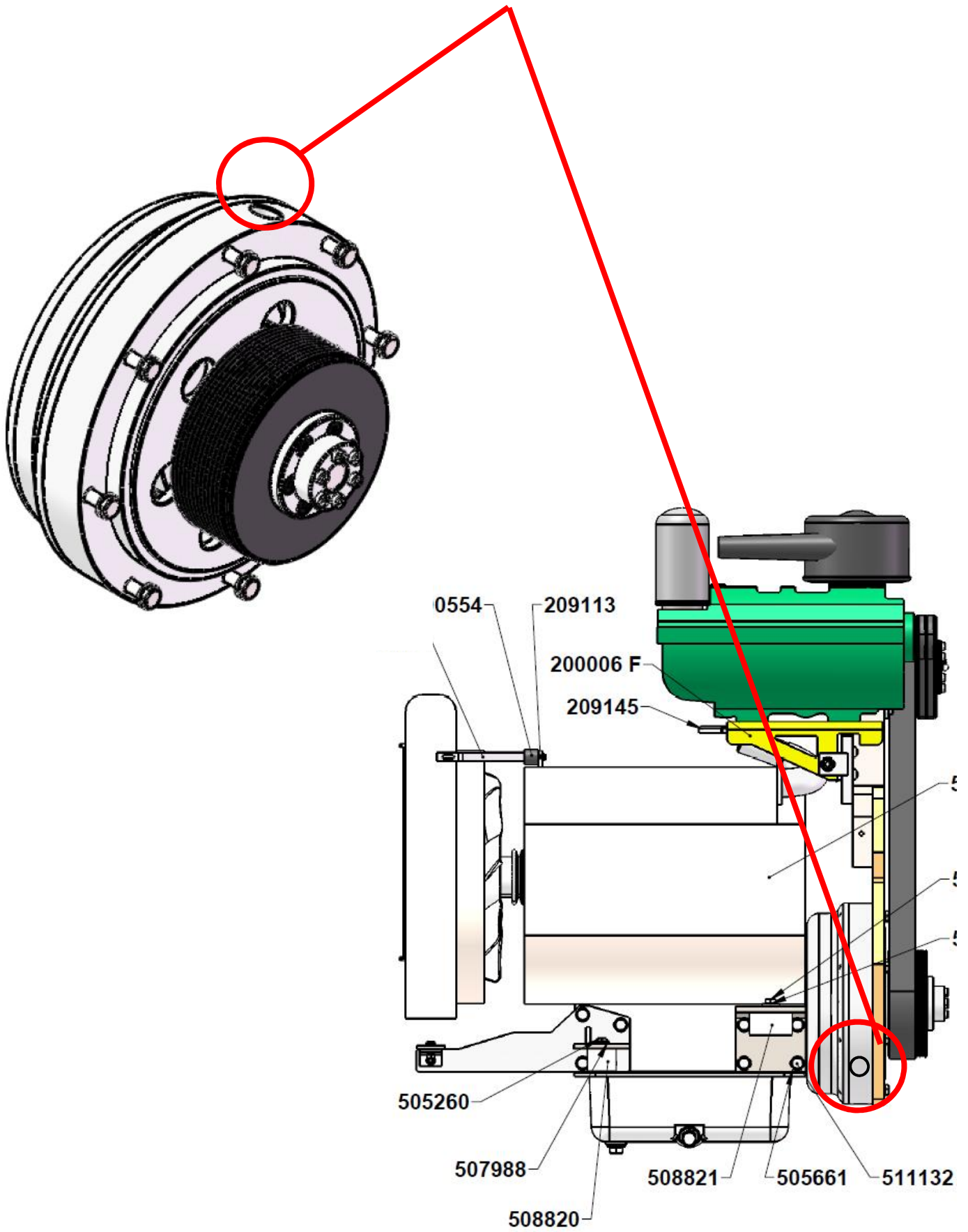
Pressure bead tank.
Engine front plate.



2. Loosen bolts and remove belt.



3. Loosen Unbracho bolts inside holes (4 pcs). *Easiest from below.*



4. Replace spareparts (shaft for clutch).

LY for turbo engine

| | |
|---|-----------|
| B | Sparepart |
| A | 500589 k |

